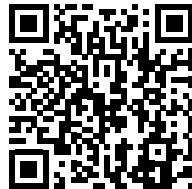




GOCCIA™ COLLECTION



**SCAN OR CLICK TO EXTEND  
YOUR GARVAN WARRANTY FOR FREE!**

3 years included, with the option to add  
2 extra years at no additional cost.

## OVERVIEW DESCRIPTION – UNIQUE DESCRIPTION PRODUCT

SVK15 is a suspended full-range loudspeaker from the Goccia™ Collection, where acoustic performance meets sculptural Italian design. Inspired by the natural shape of a falling drop, SVK15 transforms sound into a visual element, making it ideal for architectural spaces where aesthetics and audio quality must coexist seamlessly. Handcrafted in Faenza artistic ceramics and engineered with a high-performance coaxial transducer, SVK15 delivers clear, balanced sound with controlled dispersion, ensuring uniform coverage even in open or high-ceiling environments. Its suspended installation allows sound to be positioned exactly where needed, enhancing intelligibility and listening comfort. Designed for indoor applications such as wellness areas, hospitality venues, retail spaces, and design-driven interiors, SVK15 is more than a loudspeaker: it is a functional design object, fully customizable in finishes and colors to integrate harmoniously with any architectural concept.

## KEY FEATURES

Iconic suspended design inspired by the natural shape of a water drop

Handcrafted ceramic enclosure made in Faenza, Italy

Full-range coaxial transducer (130 mm LF + 25 mm HF) for coherent sound reproduction

Balanced and controlled coverage (90° nominal dispersion)

High sound pressure capability up to 118 dB SPL

No external EQ required – Garvan preset EQ, filters, and protections available

Flexible installation options with dedicated mounting systems and adjustable cable lengths

Wide range of finishes and colors, including gloss, matte, metallic, pearl, and custom decorations

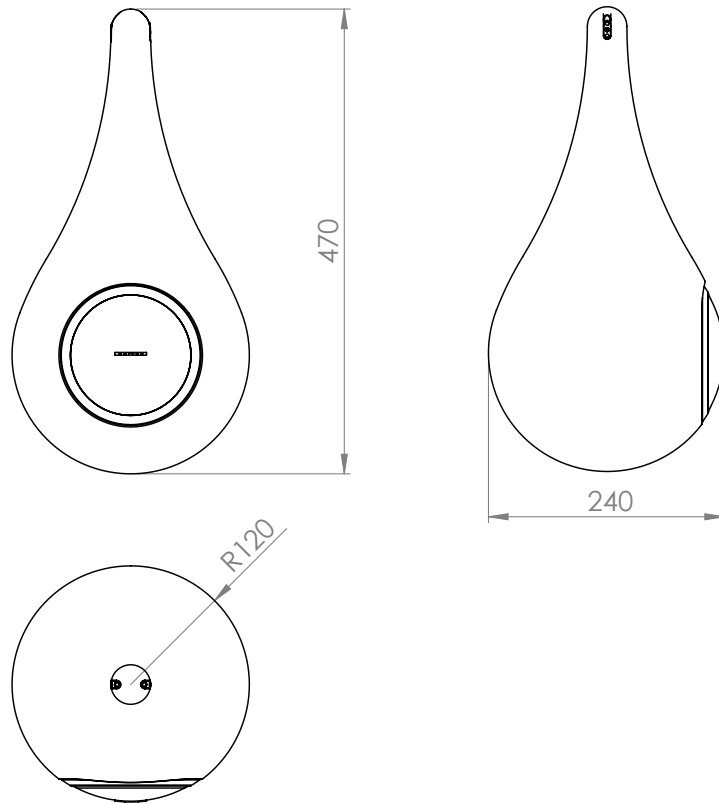
Designed for indoor architectural applications: wellness, hospitality, retail, and premium interiors


















Made in Italy, combining acoustic engineering and artisanal craftsmanship

Extended warranty up to 5 years (3 years standard + 2 years free upon registration).

# SVK15

## GOCCIA PRODUCT SHEET



COLORS			codes
Gloss	White - Bianco		SVK15PB
	Gray - Grigio		SVK15PY
	Black - Nero		SVK15PN
	Red - Rosso		SVK15PD
Matt	Black - Nero		SVK15TN
Metallic colors	Oro - Gold		SVK15MG
	Platinum - Platino		SVK15MP
	Copper - Rame		SVK15MR
Pearl colors	Green - Verde		SVK15GV
	White - Bianco		SVK15GB
	Red - Rosso		SVK15GD
	Violet - Viola		SVK15GM
Special	Riflesso		SVK15RF
	Decoro - Decoration		SVK15DB
Drudi	Misano		SVK15GP1
	GP Misano 2022		SVK15GP2
	GP Misano 2022		SVK15GP3

<b>NAME INSTALLATION</b>	<b>Suspended</b>
Type Installation	Suspended
Surface Compatibility	Suitable for installation on concrete walls, drywall, wood panels, modular panels, and similar surfaces, thanks to dedicated support brackets
Installation Requirements:	Support thickness suitable for product weight
<b>SINGLE LOUDSPEAKER PERFORMANCE</b>	
AES Power Handling	90 W
Continuous Power Handling ***	180 W
Sensitivity 2,83V / 1m ****	85 dB
Sensitivity 1W/1m ****	85 dB
Calculated Maximum SPL @ 1m*	118 dB
<b>TRANSDUCER</b>	
Type	Full range
Nominal size	Coax - LF 130mm - HF 25mm
Nominal Impedance	8Ω
Loudspeaker EQ	Not required, Garvan Preset EQ, Filter and protection available
Recommended High-Pass Filter Protection	60 Hz with 48 dB/Oct. High pass Filter
Frequency Response (-3 dB)	88 Hz – 20 kHz **
Frequency Range (-10 dB)	60 Hz – 20 kHz
Nominal Coverage Angle (1 KHz - 4 kHz)	90°
Nominal Coverage (1 KHz – 10 kHz)	90°
<b>PHYSICAL</b>	
Frame Material	Faenza artistic ceramics
Speaker support Material	Aluminium
Cover	Anodized aluminum support covered with sound-transparent fabric
<b>ENVIRONMENTAL FEATURES</b>	
Environment of Use	Indoor environments
Operating Temperature Range *****	
environmental protection.	
Connectors	"special screw-lock cable connection designed specifically for Goccia, specific for each support bracket. Accepts cables up to 11 AWG (4,17 mm <sup>2</sup> ) size wire."
Maximum Ceiling Thickness	
Product Dimensions	
Ceiling Cutout	

Net Weight, Frame	
Net Weight, Loudspeaker	
Net Weight, Cover	
<b>LOGISTICAL DATA</b>	
Packaging dimensions	
Shipping Weight	
Quantity of products per package	1 piece per package
<b>MAINTENANCE</b>	
Cleaning Method	microfiber cloth
General precautions	do not use harsh cleaning products
<b>INCLUDED ACCESSORIES</b>	
Floor mounting base	no
<b>OPTIONAL ACCESSORIES</b>	
Transformer for high line voltage	TRT055 - 70/100V - 25/37/50W
Transformer for high line voltage	
Waterproof 2-pin connector	RP0001
Turf protection plate (Ø 460 mm)	HA046H (matte black) - HA046X (brushed stainless steel)
Ground anti-theft kit	HRX031
Protective Cover	RT004A

<b>CABLE SIZE/LOAD SUGGESTIONS</b>			
<b>Cable size/load</b>	<b>8 ohm</b>	<b>4 ohm</b>	<b>2 ohm</b>
2 sq mm.	20m / 65ft.	10m / 32ft	5m / 16ft
2,5 sq mm.	30m / 100ft.	15m / 50ft	7,5m / 25ft
4 sq mm.	60m / 200ft.	30m / 100ft	15m / 50ft

**NOTES:**

\* Maximum SPL calculated from sensitivity and power handling specifications, using a signal with crest factor 4 (12dB), exclusive of power compression.

\*\* With dedicated preset

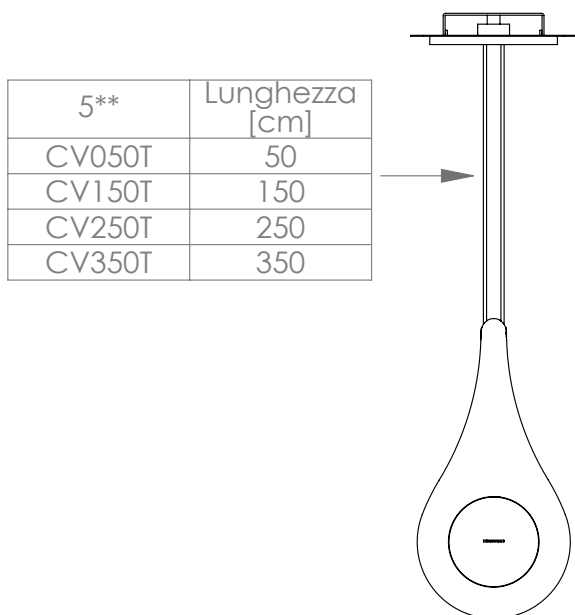
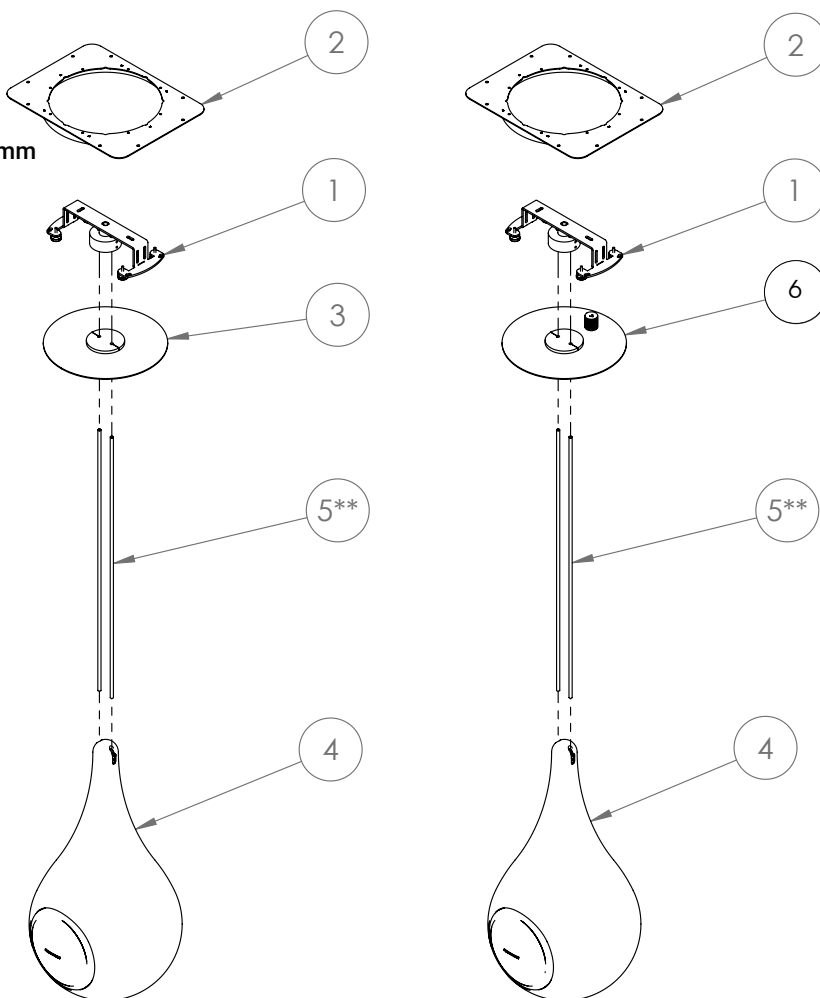
\*\*\* Power on Continuous Program is defined as 3 dB greater than the Nominal rating.

\*\*\*\* average SPL measured from 200 Hz to 1,5 kHz

\*\*\*\*\* With dedicated ignition and maintenance process

### GOCCIA CODES – FLUSH-MOUNT FOR PLASTERBOARD

- ④ Loudspeaker **SVK15**  
AES POWER **90 W**  
TYPE **Full range**  
NOM. SIZE **Coax - LF 130mm - HF 25mm**  
NOM. IMP. **8Ω**
- ① Bracket **HWX021**
- ② Frame **CC2020**
- ③ Cover **E08GLB**
- ⑤ Hanging cables 2x0,5 m **CV050T**
- ⑥ Cover with white led **E08GLBW**



### GOCCIA CODES – FLUSH-MOUNT FOR CONCRETE WALL

④ Loudspeaker **SVK15**

AES POWER **90 W**  
 TYPE **Full range**  
 NOM. SIZE **Coax - LF 130mm - HF 25mm**  
 NOM. IMP. **8Ω**

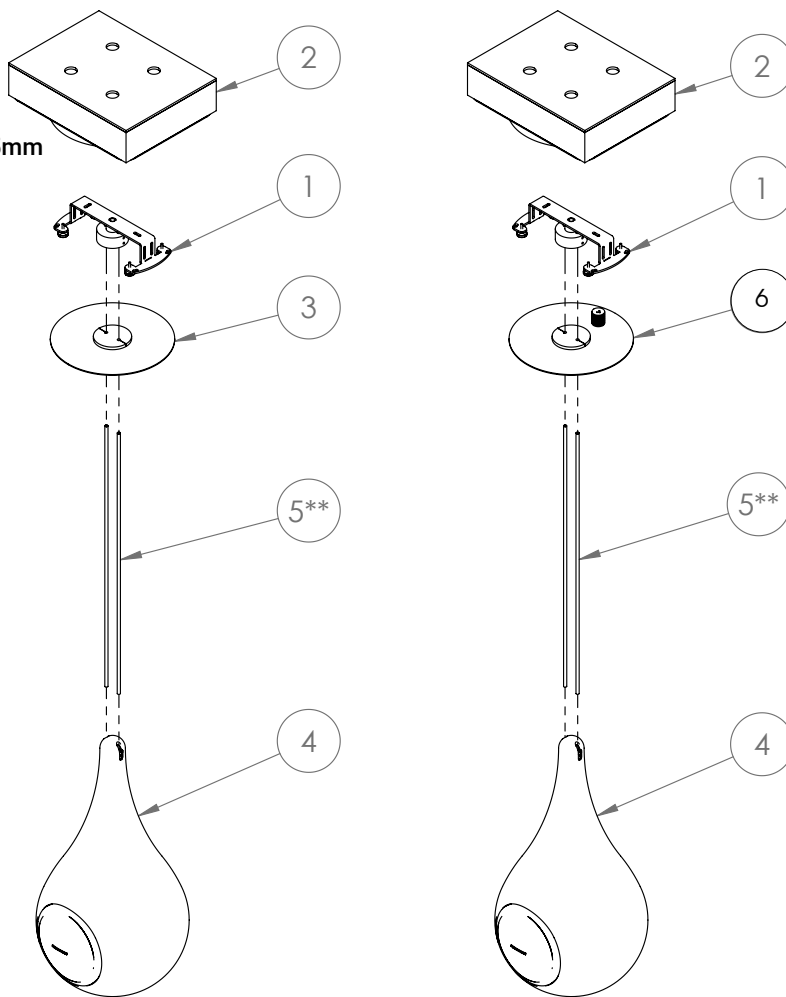
① Bracket **HWX021**

② Frame **CM2020**

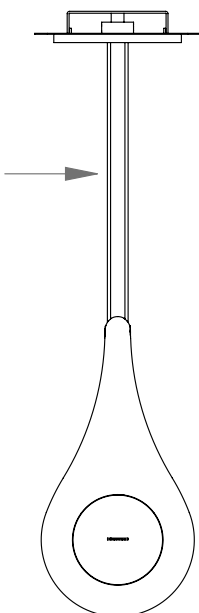
③ Cover **E08GLB**

Hanging cables 2x0,5 m  
**CV050T**

⑥ Cover with white led **E08GLBW**

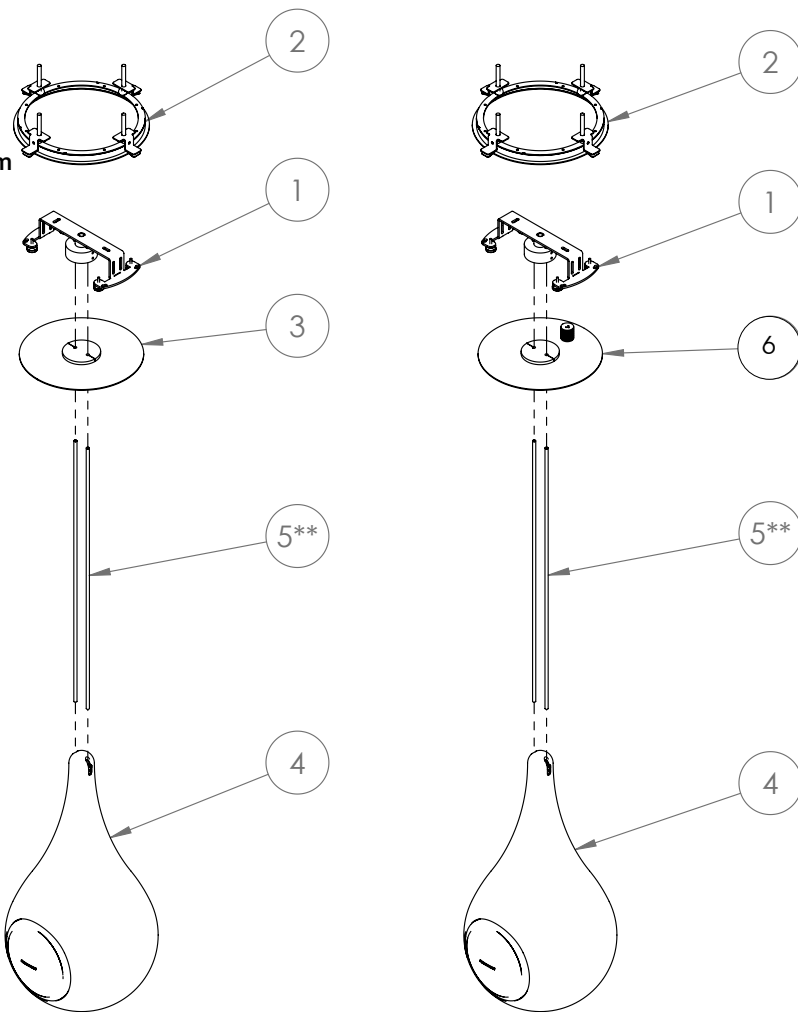


5**	Lunghezza [cm]
CV050T	50
CV150T	150
CV250T	250
CV350T	350

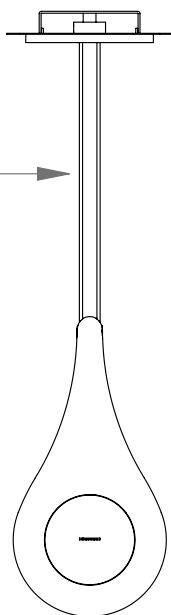


### GOCCIA CODES – EASY-FIT

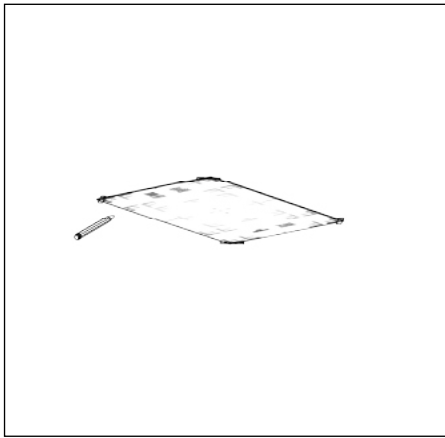
- ④ Loudspeaker **SVK15**  
AES POWER **90 W**  
TYPE **Full range**  
NOM. SIZE **Coax - LF 130mm - HF 25mm**  
NOM. IMP. **8Ω**
- ① Bracket **HWX021**
- ② Frame **CF2020**
- ③ Cover **E08GLB**  
Hanging cables 2x0,5 m **CV050T**
- ⑥ Cover with white led **E08GLBW**



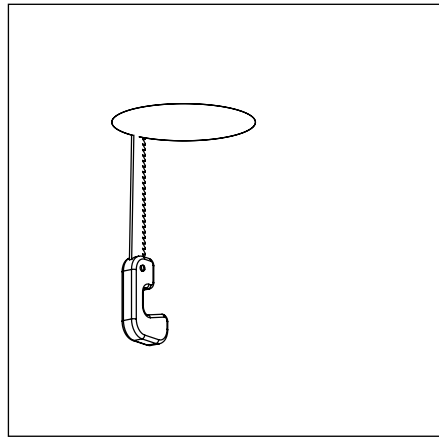
5**	Lunghezza [cm]
CV050T	50
CV150T	150
CV250T	250
CV350T	350



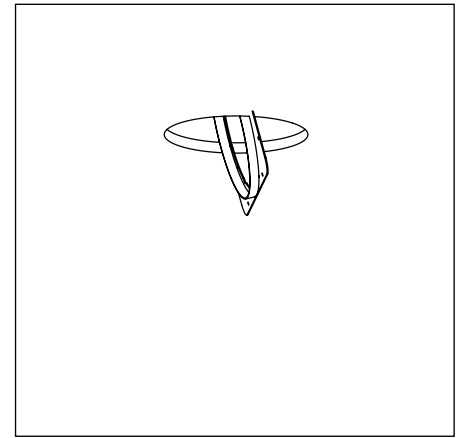
# INST. INSTRUCTIONS SVK15 Goccia – Easy Fit in-ceiling Fixing System



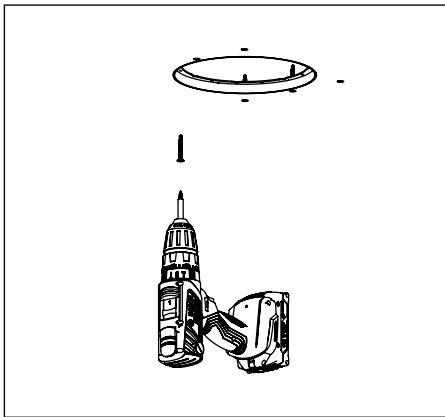
1 Jig set



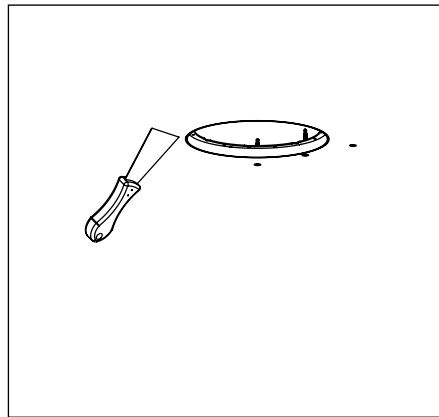
2



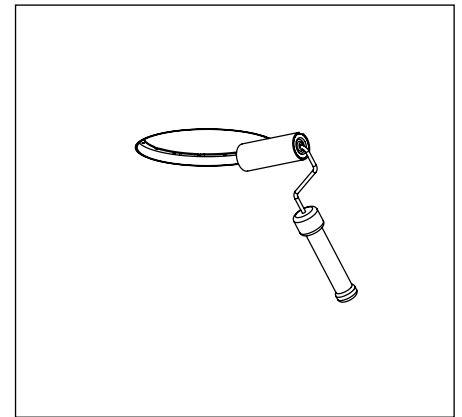
3



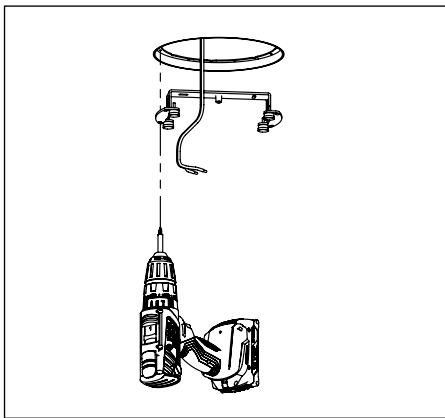
4



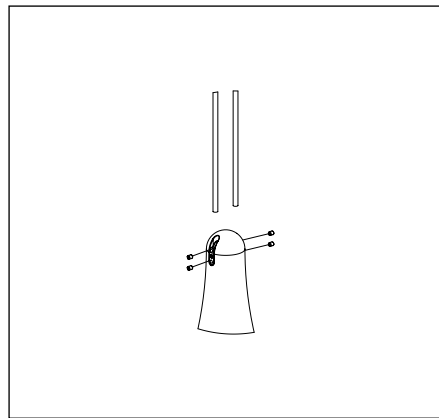
5



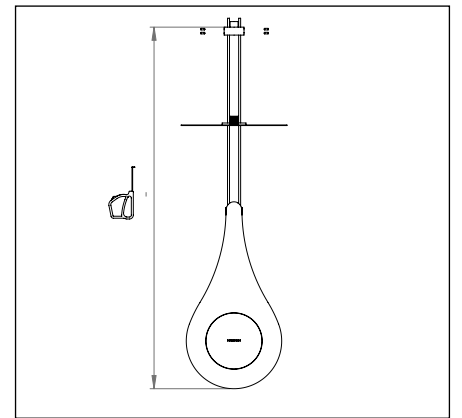
6



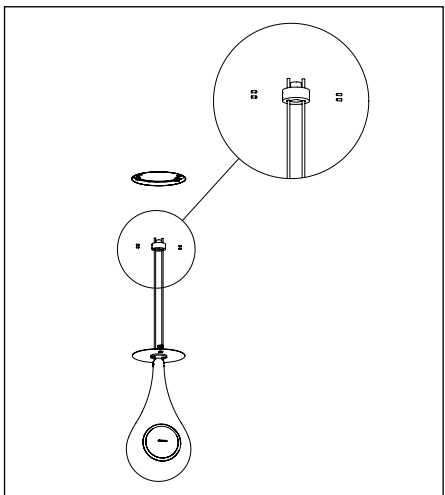
7



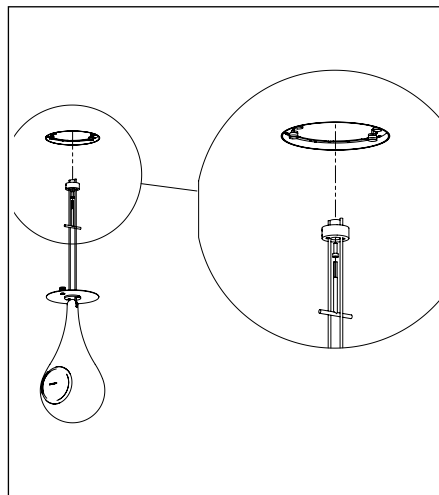
8



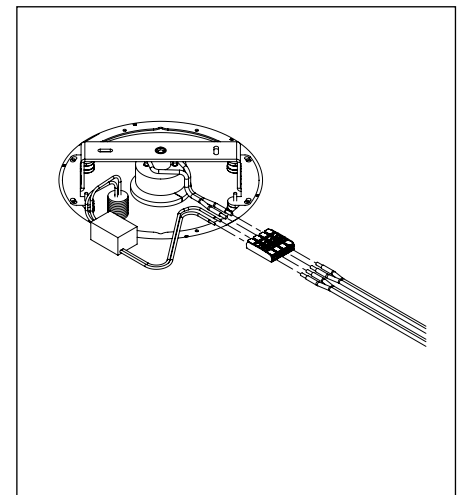
9



10



11



12

### GOCCIA CODES – FLOOR FIXING SYSTEM

- ① Loudspeaker **SVK15**  
 AES POWER **90 W**  
 TYPE **Full range**  
 NOM. SIZE **Coax - LF 130mm - HF 25mm**  
 NOM. IMP. **8Ω**
- ② Floor fixing system **HPX209**
- ③ Hanging cables **CV050T**

